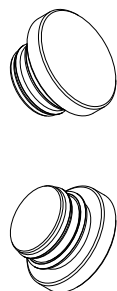
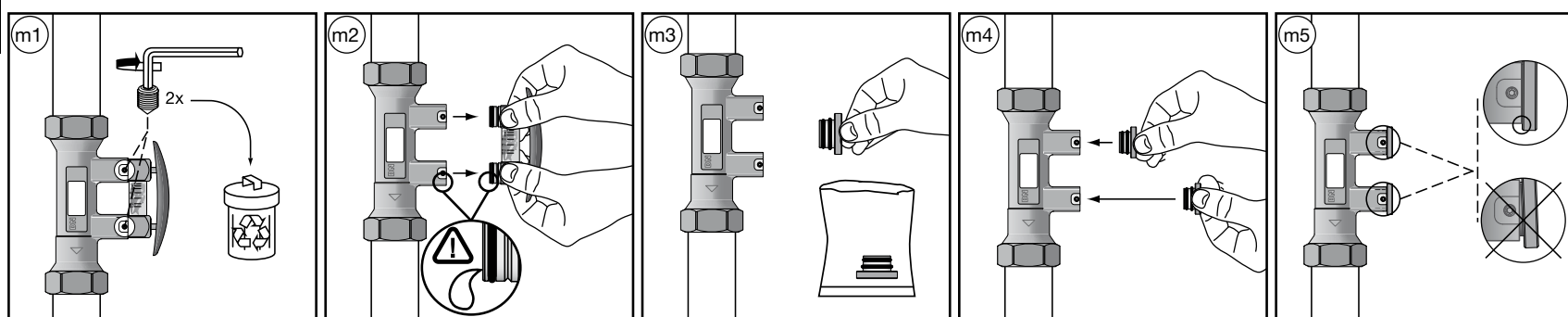
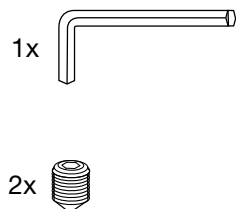
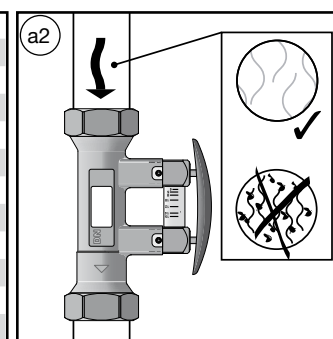


AX 98 Verschlussset



AV 23	AX 98	DN	l/min		AX 98
223.2382.000	223.2383.000	20	2 ... 12	?	296.2340.003
223.2480.000	223.2580.000	20	8 ... 30	?	296.2340.003
		25	10 ... 40	?	296.2340.003
		32	20 ... 70	?	296.2340.003



TB	185°C	
PB	10 bar	



TB	130°C	
PB	8 bar	

